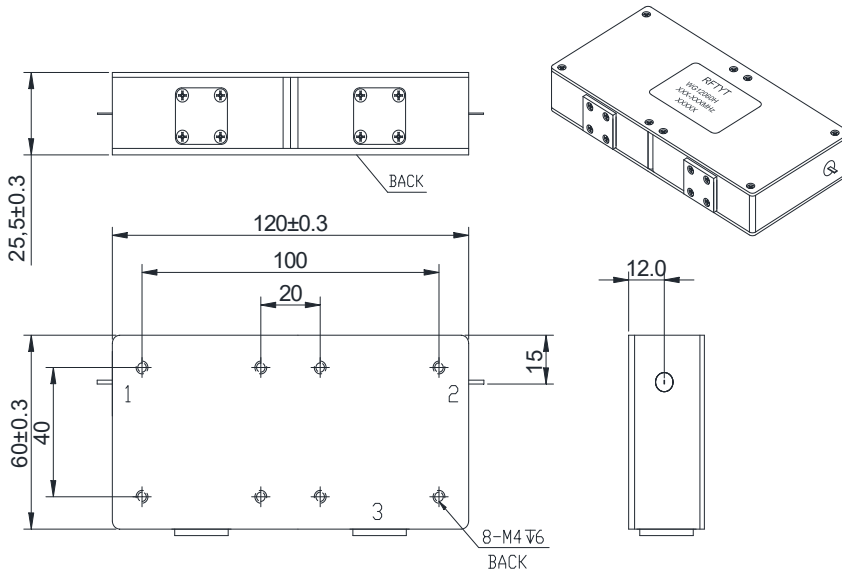
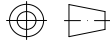




## 80 to 230MHz Dual Junction Drop in Isolator

### WG12060H Strip Line Type

#### Outline Drawing (mm):



#### Features:

- ◇ Good temperature stability
- ◇ Withstand high power
- ◇ RoHS compliant
- ◇ Weight :  $\approx$  650 g

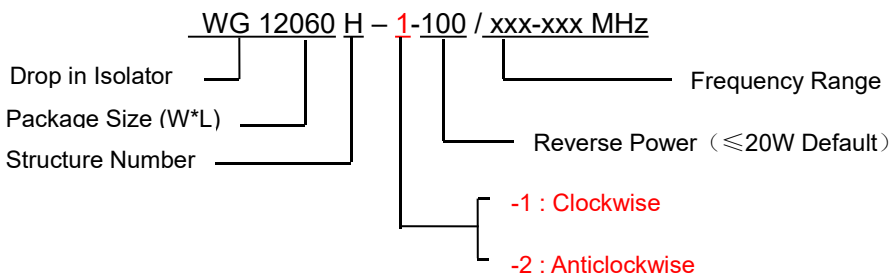
#### Material list:

- ◇ Cavity: aluminum conductive oxidation
- ◇ Outer shell: industrial pure iron nickel plating
- ◇ Guide body: Silver plated brass
- ◇ Load chamber: aluminum conductive oxidation

#### Application:

- ◇ Rf amplifier final stage, protect the amplifier
- ◇ Digital communication
- ◇ Satellite communication
- ◇ Mobile communication

#### Order Examples:



#### Basic Specifications:

Impedance	50 $\Omega$
Connection type	Strip line
Size(mm)	120.0*60.0*25.5
Operating Temp	-30~+70 $^{\circ}$ C/-40~+85 $^{\circ}$ C
Storage temperature	-50~+90 $^{\circ}$ C



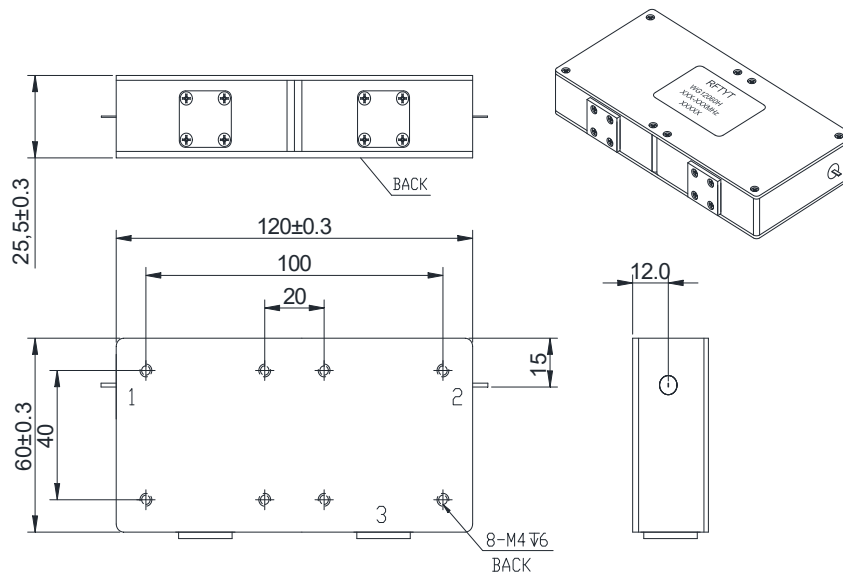
Specifications:

Model No. (X=1: →Clockwise) (X=2: ←Anticlockwise)	Freq. Range MHz	IL. dB (max)	Isolation dB (min)	VSWR	Forward Power CW	Reverse Power W
WG12060H-X/80-120MHz	80-120	2	36	1.30	50/100	20/100
WG12060H-X/85-135MHz	85-135	2.2	36	1.30	50/100	20/100
WG12060H-X/87-108MHz	87-108	1.2	40	1.25	50/100	20/100
WG12060H-X/88-138MHz	88-138	2.0	36	1.30	50/100	20/100
WG12060H-X/90-100MHz	90-100	1.0	40	1.20	50/100	20/100
WG12060H-X/98-103MHz	98-103	1.0	40	1.20	50/100	20/100
WG12060H-X/100-130MHz	100-130	1.2	40	1.25	50/100	20/100
WG12060H-X/100-140MHz	100-140	1.6	40	1.25	50/100	20/100
WG12060H-X/100-150MHz	100-150	1.8	36	1.30	50/100	20/100
WG12060H-X/108-112MHz	108-112	1.0	46	1.25	50/100	20/100
WG12060H-X/108-118MHz	108-118	1.0	46	1.20	50/100	20/100
WG12060H-X/108-137MHz	108-137	1.3	40	1.25	50/100	20/100
WG12060H-X/112-132MHz	112-132	1.2	40	1.20	50/100	20/100
WG12060H-X/116-138MHz	116-138	1.2	40	1.20	50/100	20/100
WG12060H-X/118-137MHz	118-137	1.2	40	1.20	50/100	20/100
WG12060H-X/118-161MHz	118-161	1.2	40	1.25	50/100	20/100
WG12060H-X/120-130MHz	120-130	1.0	40	1.25	50/100	20/100
WG12060H-X/130-174MHz	130-174	1.0	40	1.25	50/100	20/100
WG12060H-X/130-180MHz	130-180	1.0	40	1.25	50/100	20/100
WG12060H-X/130-190MHz	130-190	1.2	36	1.25	50/100	20/100
WG12060H-X/135-155MHz	135-155	1.0	40	1.20	50/100	20/100
WG12060H-X/135-175MHz	135-175	1.2	40	1.25	50/100	20/100
WG12060H-X/135-195MHz	135-195	1.2	36	1.30	50/100	20/100
WG12060H-X/136-174MHz	136-174	0.9	40	1.25	50/100	20/100
WG12060H-X/140-148MHz	140-148	0.8	40	1.25	50/100	20/100



Model No. (X=1: →Clockwise) (X=2: ←Anticlockwise)	Freq. Range MHz	IL. dB (max)	Isolation dB (min)	VSWR	Forward Power CW	Reverse Power W
WG12060H-X/148-174MHz	148-174	1.0	40	1.25	50/100	20/100
WG12060H-X/150-170MHz	150-170	0.8	40	1.20	50/100	20/100
WG12060H-X/150-200MHz	150-200	1.0	40	1.25	50/100	20/100
WG12060H-X/150-225MHz	150-225	1.2	36	1.30	50/100	20/100
WG12060H-X/153-157MHz	153-157	0.8	46	1.20	50/100	20/100
WG12060H-X/157-159MHz	157-159	0.8	46	1.20	50/100	20/100
WG12060H-X/160-170MHz	160-170	0.8	46	1.20	50/100	20/100
WG12060H-X/165-175MHz	165-175	0.8	46	1.20	50/100	20/100
WG12060H-X/166-172MHz	166-172	0.8	46	1.20	50/100	20/100
WG12060H-X/170-200MHz	170-200	1.0	40	1.25	50/100	20/100
WG12060H-X/170-230MHz	170-230	1.2	40	1.25	50/100	20/100
WG12060H-X/174-230MHz	174-230	1.2	40	1.25	50/100	20/100

Reflection power 100W diagram



The reflected power of this figure is 100W, the index is shown in the table above, and the model is WG12060H-X-100/XXX-XXXMHz



#### Instructions:

- 1, Through the power part of the product can be 50W or 100W;
- 2, The isolator reflected power is 20W or 100W;
- 3, Only some common frequencies in the table, can be produced according to the user's requirements;
- 4, Embedded isolator, please use stainless steel or brass screws when installing;
- 5, If you do not find the frequency you want, please contact us!